



Zebra[®] **TLP & LP 2844-Z[™]** **Desktop Printers**

User Guide



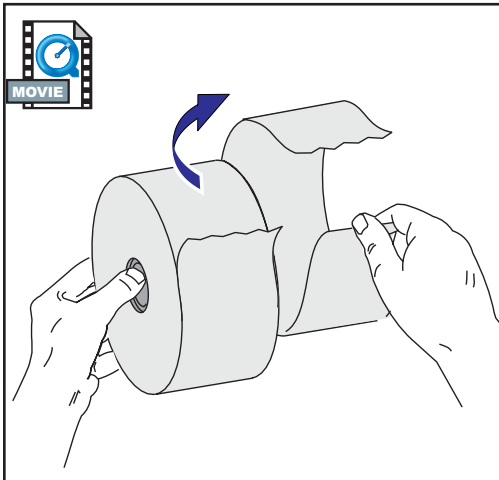
Loading Roll Media



When you load media, you must place the roll on the media hangers and then adjust the media guides.

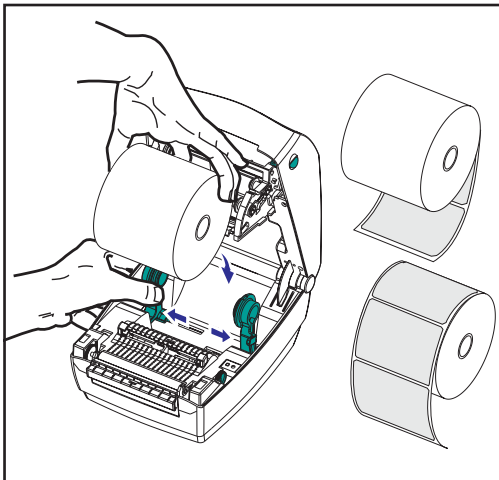
You must use the correct media for the type of printing you require. When printing without a ribbon, you must use direct thermal media. When using ribbon, you must use thermal transfer media. The printer's ribbon sensor detects motion of the supply spindle.

Placing the Roll in the Media Compartment

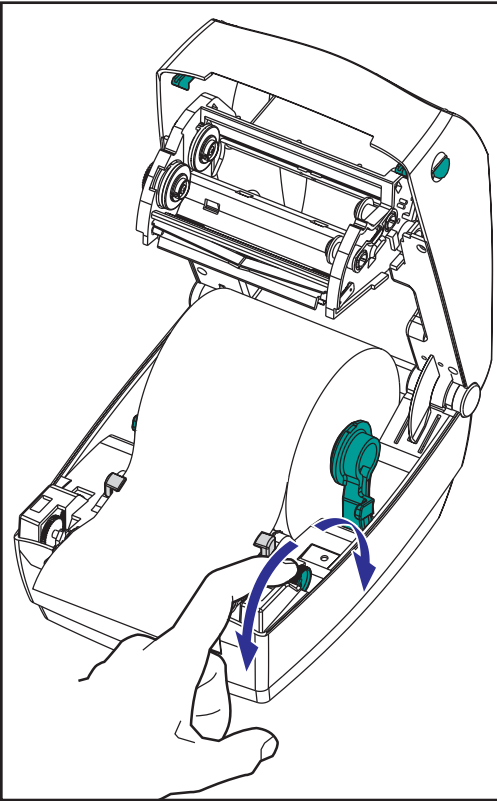


Whether your roll media is inside or outside wound you load it into the printer the same way.

1. Open the printer. Remember that you need to pull the release levers toward the front of the printer.
2. Remove the outside length of media. During shipment, the roll may become dirty when handled or dusty when stored. Removing the outside length avoids dragging adhesive or dirty media between the print head and platen.
3. Separate and hold open the media hangers.
4. Orient the media roll so that its printing surface will be up as it passes over the platen.
5. Lower the roll between the hangers and close them onto the core.



Adjusting the Guides



The adjustable guides direct the media toward the platen and print head.

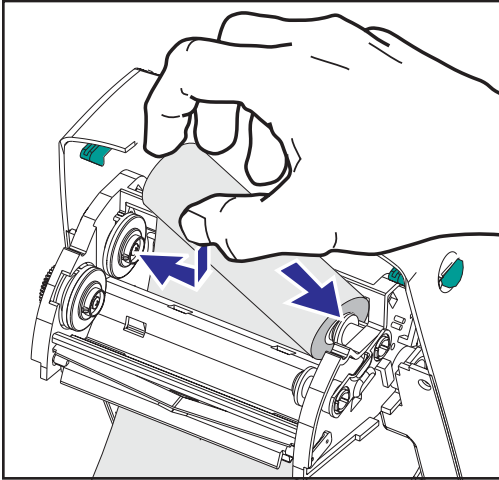
1. Open the media guides by turning the guide adjuster knob to the rear.
2. Thread the media through the guides.
3. Close the media guides by turning the guide adjuster knob to the front. They should just touch, but not restrict, the edges of the media.
4. Unless you need to load ribbon, close the top cover. Remember that you need to release the cover lock, lower the top cover, and press down until the latches snap into place.

Loading Ribbon



You must use thermal transfer media (accepts wax and/or resin transferred off a ribbon) when you use a ribbon in a TLP model printer. When loading ribbon, you install the supply and take-up rolls, then tighten the ribbon on the carriage.

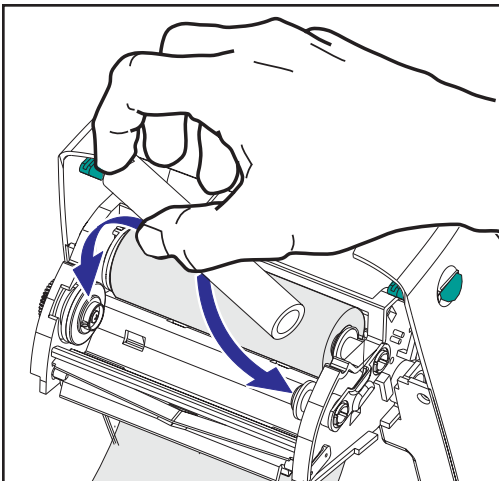
Install the Ribbon Supply Roll



Before following these steps, prepare the ribbon by removing its wrapping and pulling its adhesive strip free.

1. Thread the ribbon through the carriage.
2. Press the right side onto the supply hub.
3. Align the notches on the left side and mount onto the spokes of the left hub.

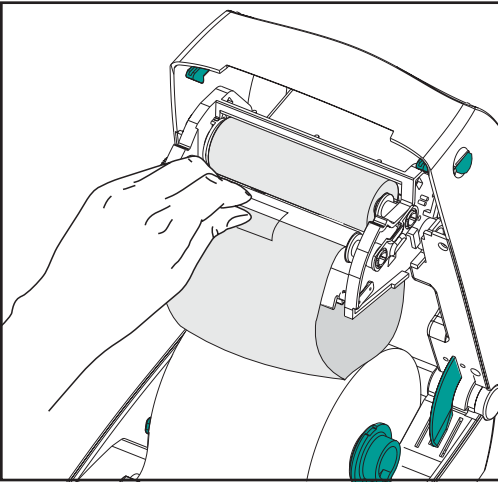
Install the Take-Up Core



1. Press the right side onto the take-up hub.
2. Align the notches on the left side and mount onto the spokes of the left hub.

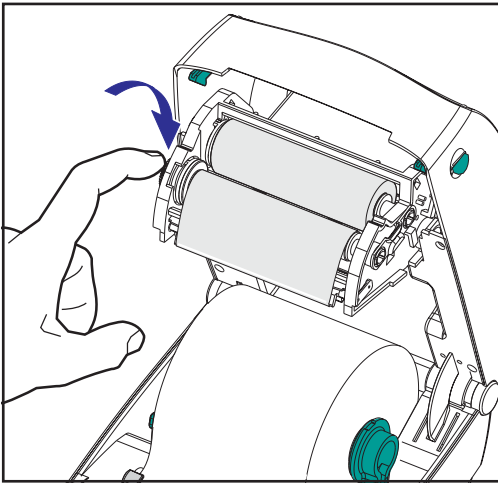
You can find your first ribbon take-up core in the packing box. Subsequently, use the empty supply core to take up the next roll of ribbon.

Attach and Tighten the Ribbon



You must align the ribbon so that it will be taken straight onto the core.

1. Attach the ribbon to the take up core. Use the adhesive strip on new rolls; otherwise, use tape.



2. Turn the ribbon take-up gear counter-clockwise (top moves toward rear) to remove slack from the ribbon.
3. Close the top cover. Remember that you need to release the cover lock, lower the top cover, and press down until the latches snap into place.

Auto Calibration

NOTE: If you are using pre-printed labels, pre-printed label backing, or continuous media, see “Manual Calibration” on page 42.

An auto calibration is performed when the printer is turned on (if media is loaded) or after a media error is cleared. When it is auto calibrating, the printer sets the sensor levels for, and determines the length of, the label you are using.

If the status light flashes red, refer to “Manual Calibration” on page 42.

Operator Controls

Power Switch

Press *up* to turn **ON** or *down* to turn **OFF** the printer.

CAUTION: The power should be turned off before connecting or disconnecting the communications and power cables.

Feed Button

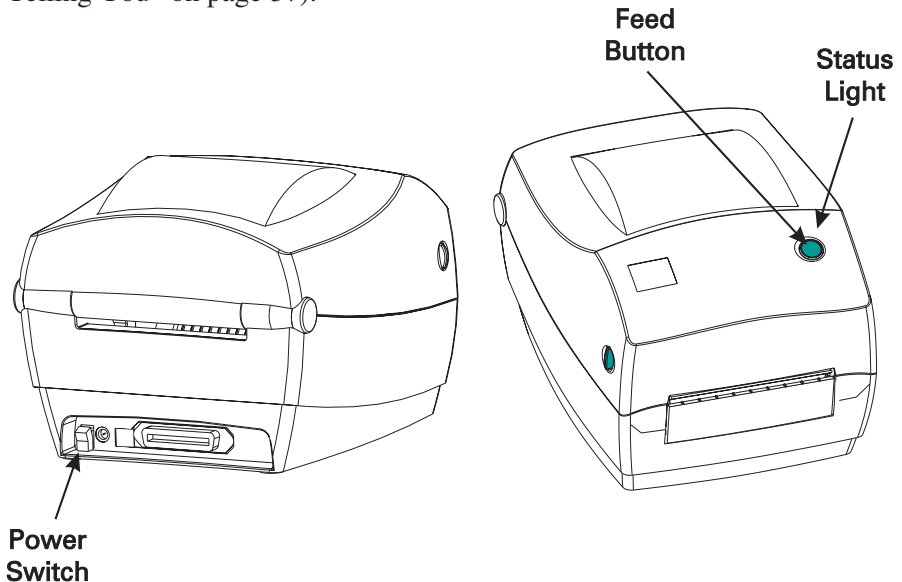
Forces the printer to feed one blank label.

Takes the printer out of a “pause” condition. (The printer is put into “pause” by either a ZPL II command or an error condition.) See “What the Status Light is Telling You” on page 37.

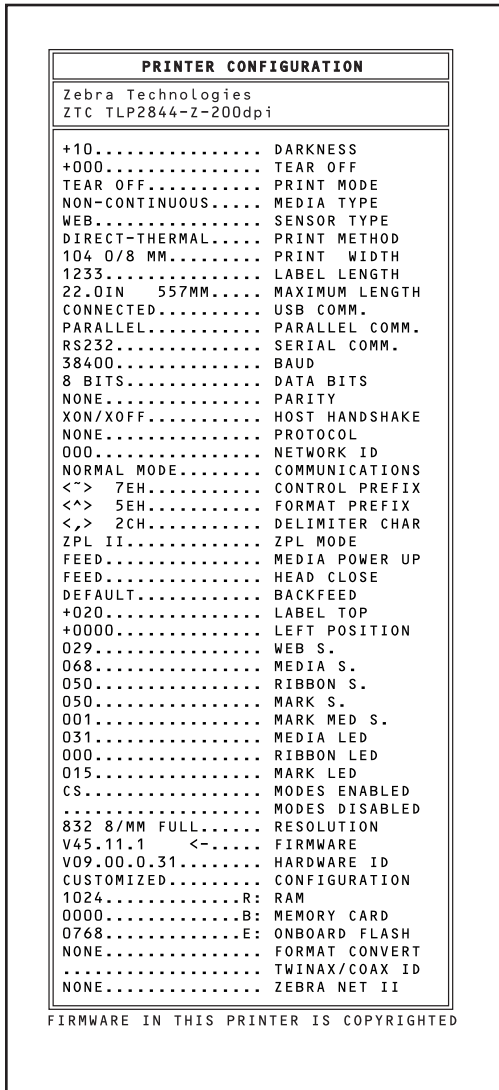
Use the Feed button for printer setup and status (see “Feed Button Modes” on page 45).

Status Light

Functions as a printer operational indicator (see “What the Status Light is Telling You” on page 37).



Printing a Test Printout



Before you connect the printer to your computer, make sure that the printer is in proper working order. You can do this by printing a configuration printout.

1. Make sure the media is properly loaded and the top cover of the printer is closed. Then, turn the printer power on if you have not already done so.
2. When the status light is solid green, press and hold the feed button until the status light flashes once.
3. Release the feed button. The printer prints configuration information on the available media.

If you cannot get this printout, refer to [Troubleshooting on page 37](#).



Zebra Technologies Corporation